

LASCOfite and UltraFix™

Compression Pressure Fittings

Coupling



PART NO.	SIZE (IN.)	WORKING PRESSURE (@ 73°F)	QUANTITY (CTN)	CODE	PRICE (EA.)
21123	1/2	315	30	14	\$4.46
21124	3/4	315	30	14	\$5.96
21125	1	315	20	14	\$7.72
21126	1 1/4	250	10	14	\$11.77
21127	1 1/2	250	10	14	\$12.01
21128	2	200	10	14	\$15.91
21129	2 1/2	200	8	14	\$29.68
21130	3	150	5	14	\$38.76
21131	4	150	6	14	\$63.83
21133	6	150	4	14	\$117.24

Male Adapter



PART NO.	SIZE (IN.)	WORKING PRESSURE (@ 73°F)	QUANTITY (CTN)	CODE	PRICE (EA.)
21303	1/2	315	30	14	\$3.72
21304	3/4	315	30	14	\$4.16
21305	1	315	20	14	\$5.33
21306	1 1/4	250	10	14	\$8.35
21307	1 1/2	250	10	14	\$9.19
21308	2	200	10	14	\$11.57

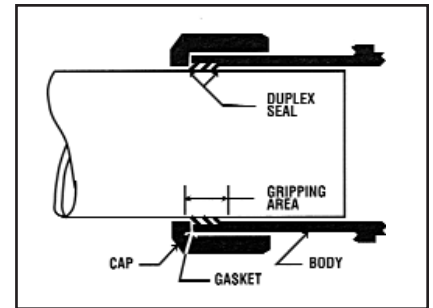
UltraFix™



PART NO.	SIZE (IN.)	QUANTITY (CTN)	CODE	PRICE (EA.)
CUF-005	1/2	25	15	\$4.29
CUF-007	3/4	25	15	\$4.80
CUF-010	1	25	15	\$5.65
CUF-012	1 1/4	15	15	\$10.52
CUF-015	1 1/2	15	15	\$11.40
CUF-020	2	12	15	\$17.74
CUF-025	2 1/2	4	15	\$28.52
CUF-030	3	3	15	\$35.68
CUF-040	4	2	15	\$62.40
CUF-060	6	1	15	\$170.37

Gaskets

PART NO.	SIZE (IN.)	CODE	PRICE (EA.)
22003	1/2	14	\$0.76
22004	3/4	14	\$0.91
22005	1	14	\$1.14
22006	1 1/4	14	\$1.49
22007	1 1/2	14	\$1.78
22008	2	14	\$2.15
22009	2 1/2	14	\$4.10
22010	3	14	\$8.87
22011	4	14	\$15.68
22013	6	14	\$16.23



Duplex Seal – Compressive action of thread cap creates high concentrated pressure at two points illustrated. Since cap and body are recessed for compression sealing gasket, no fluid can enter thread cavity of cap.

Gripping Area – Compressive action creates strong gripping action over a wide area of pipe resisting longitudinal pull out.

Repairs or alterations in pipelines are simple with **LASCOfite** fittings. Couplings can be inserted quickly between butted pipe ends. No clearance room is needed – simply slip a coupling all the way over one pipe end, realign the ends, center the coupling and tighten the nuts. New branch lines, test hookups, service joints, or temporary piping can be added easily. The **LASCOfite** fittings can be removed and reused.

No threading or solvent cementing is required. The gaskets provide a positive, leakproof compression seal. **LASCOfite** fittings can be used to join iron pipe size plastic, steel or copper pipe and to attach plastic pipe to threaded valves or fittings.

LASCOfite wall thicknesses meet or exceed those of Schedule 40 fittings as listed in ASTM D-2466.

Specifications: All **LASCOfite** fittings are produced from PVC Type I, Cell Classification 12454-B. **LASCOfite** fittings comply fully with ASTM D-1784 and are listed by NSF.

IMPORTANT:

- Restrain all pipe movement.
- Not to be used above ground.
- Do not use Lasco fittings for compressed air or gas.
- Do not test PVC piping systems with compressed air or gas.
- Do not use fittings with liquids not recommended by Lasco.
- Modifications of fittings voids the warranty.

